

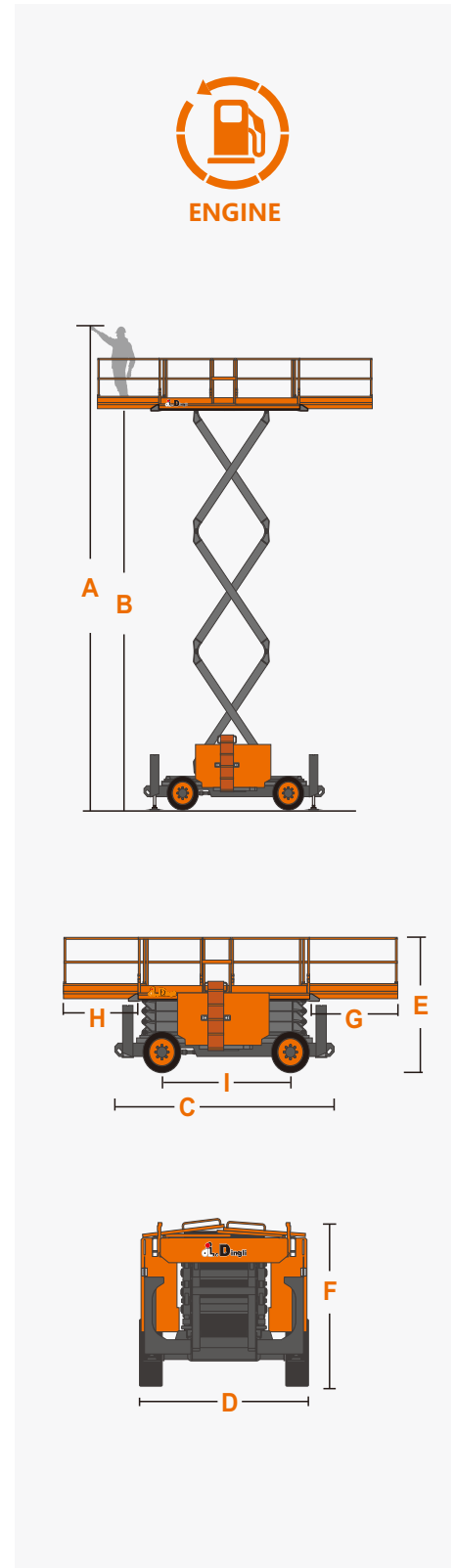
SPECIFICATIONS

Size	Metric	British
Max. Working Height A	12.00m	39ft 4in
Max. Platform Height B	10.00m	32ft 10in
Overall Length (With Outriggers/Without Outriggers) C	4.88m	16ft
Overall Width D	2.33m	7ft 8in
Overall Height(Rails Up) E	3.03m	9ft 10in
Overall Height(Rails Down) F	2.27m	7ft 5in
Platform Size(Length×Width)	4.88m×1.83m	16ft×6ft
Platform Extension Size G/H	1.43m/1.13m	4ft 8in/3ft 8in
Ground Clearance	0.30m	1ft
Wheelbase I	2.86m	9ft 4in
Turning Radius(Inside/Outside)	2.70m/5.50m	8ft 10in/18ft
Tyres	315/55/D20	315/55/D20

Performance		
S.W.L	1134kg	2500lb
S.W.L On Extension	227kg	500lb
Max. Occupants (Indoor/Outdoor)	7/7	7/7
Gradeability	40%	40%
Travel Speed(Stowed)	≥5.0km/h	≥3.1mph
Travel Speed(Raised)	≥1.0km/h	≥0.62mph
Max. Working Slope(X/Y)	2°/3°	2°/3°
Up/Down Speed	71/58sec	71/58sec

Weight		
Overall Weight(Without Outriggers)	6940kg	15300lb
Overall Weight(With Outriggers)	7840kg	17284lb

Power		
Diesel Engine	18.2kW/3000rpm	18.2kW/3000rpm
Diesel Tank	80L	21gal
Hydraulic Tank	120L	31gal



FEATURES

Standard Items

- Proportional Joystick Controls
- Self-Locking Gates
- Dual Slide-Out Platform Extension Deck
- Four-Wheel Drive
- Drive axle
- Wheel Braking
- Self-Weight Lowering System
- Tubing Explosion-Proof System
- Onboard Fault Diagnostic System
- Tilt Alarm
- Motion Alarm
- Horn
- Hour Meter
- Hydraulic Oil Cooling System
- Flashing LED Beacon
- Foldable Guard Rails
- Drive Enable
- Manual Brake Release
- Lanyard Attachment Point
- Tie-Down And Lifting Points
- Automatic Leveling Hydraulic Outriggers
- Anti-Restart Engine Protection
- Emergency Pump
- Emergency Stop Button
- Platform Load Sense System
- Oscillating Axle Chassis



ACCESS SPECIALTIES PT LTD

104 Carbine road, Mount Wellington
0800 DINGLI (346 454)

E. Brendan@accessspecs.co.nz

www.accessspecs.co.nz



Due to continuous technology updates, technical parameters are subject to change without notice. This picture book is for reference only, the actual product shall 2024-02prevail. The copyright is owned by Zhejiang Dingli, any content may not be copied or copied for any purpose without written permission.