

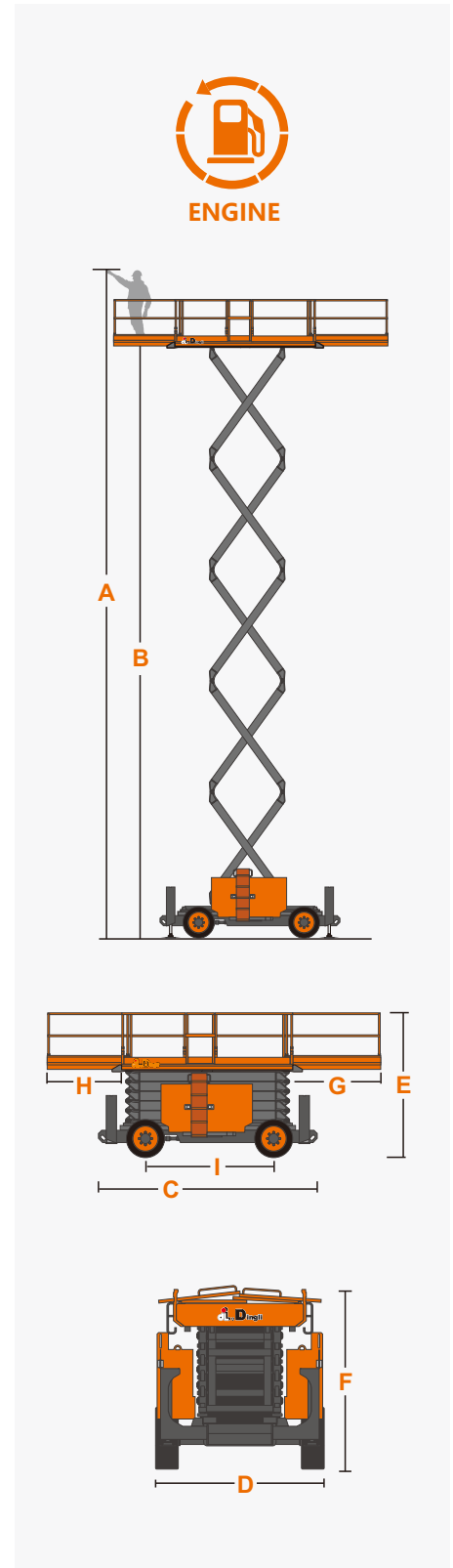
SPECIFICATIONS

Size	Metric	British
Max. Working Height A	18.00m	59ft 1in
Max. Platform Height B	16.00m	52ft 6in
Overall Length C	4.88m	16ft
Overall Width D	2.33m	7ft 8in
Overall Height(Rails Up) E	3.23m	10ft 7in
Overall Height(Rails Down) F	2.47m	8ft 1in
Platform Size(Length×Width)	4.88m×1.83m	16ft×6ft
Platform Extension Size G/H	1.43m/1.13m	4ft 8in/3ft 8in
Ground Clearance	0.30m	1ft
Wheelbase I	2.86m	9ft 5in
Turning Radius(Inside/Outside)	2.70m/5.50m	8ft 10in/18ft
Tyres	315/55/D20	315/55/D20

Performance		
S.W.L	680kg	1499lb
S.W.L On Extension	227kg	500lb
Max. Occupants (Indoor/Outdoor)	4/4	4/4
Gradeability	30%	30%
Travel Speed(Stowed)	≥5.0km/h	≥3.11mph
Travel Speed(Raised)(<11m/≥11m)	≥1.0km/h ≥0.6km/h	≥0.62mph ≥0.37mph
Max. Working Slope(<11m/≥11m)	2°/3° 1.5°/3°	2°/3° 1.5°/3°
Up/Down Speed	78/74sec	78/74sec

Weight		
Overall Weight	8760kg	19313lb

Power		
Diesel Engine	18.2kW/3000rpm	18.2kW/3000rpm
Diesel Tank	80L	21gal
Hydraulic Tank	120L	32gal



FEATURES

Standard Items

- Drivable At Full Height
- Proportional Joystick Controls
- Self-Locking Gates
- Dual Slide-Out Platform Extension Deck
- Four-Wheel Drive
- Two-Wheel Steering
- Drive axle
- Wheel Braking
- Self-Weight Lowering System
- Tubing Explosion-Proof System
- Onboard Fault Diagnostic System
- Tilt Alarm
- Motion Alarm
- Horn
- Hour Meter
- Hydraulic Oil Cooling System
- Flashing LED Beacon
- Foldable Guard Rails
- Drive Enable
- Manual Brake Release
- Lanyard Attachment Point
- Tie-Down And Lifting Points
- Automatic Leveling Hydraulic Outriggers
- Anti-Restart Engine Protection
- Emergency Pump
- Emergency Stop Button
- Platform Load Sense System
- Oscillating Axle Chassis



ACCESS SPECIALTIES LTD

104 Carbine road, Mount Wellington
0800 DINGLI (346 454)
E. Brendan@accessspecs.co.nz
www.accessspecs.co.nz

